

KÄRCHER

makes a difference

AB 30 Classic

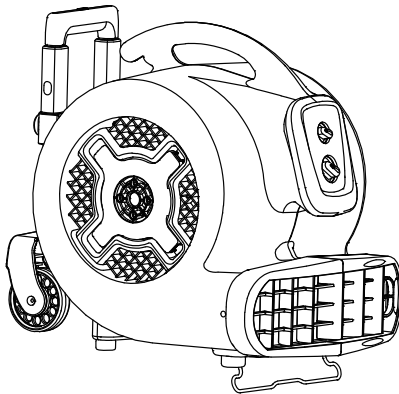
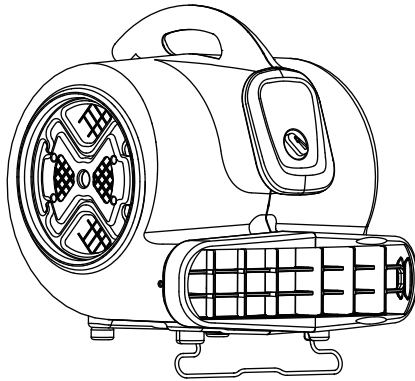
AB 45 Classic

English

2

中文

5



97710130

11/16



Please read and comply with these original instructions prior to the initial operation of your appliance and store them for later use or subsequent owners.

- The non-compliance of the operating and safety instructions may lead to damages of the appliance and to dangers for the operator and other persons.
- In case of transport damage inform vendor immediately

Environmental protection



The packaging material can be recycled. Please do not throw the packaging material into household waste; please send it for recycling.



Old appliances contain valuable materials that can be recycled; these should be sent for recycling. Please dispose of your old appliances using appropriate collection systems.

Symbols in the operating instructions

Danger

Immediate danger that can cause severe injury or even death.

Warning

Possible hazardous situation that could lead to severe injury or even death.

Caution

Possible hazardous situation that could lead to mild injury to persons or damage to property.

Safety instructions

Danger

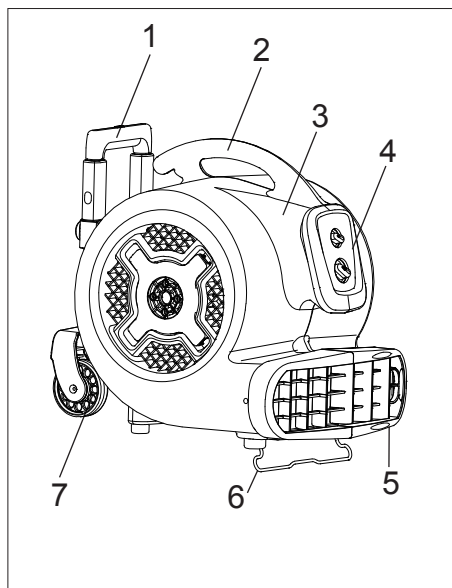
- Never hold the mains plug or the device with wet hands.
- Never leave the device unattended if it has not been switched off and the plug has not been pulled out of the socket.
- Check the mains cable regularly for damage such as aging or formation of cracks. If you find a damage, then the cable must be replaced before using it any further.
- The machine with working equipment must be checked to ensure that it is in proper working order and is operating safely prior to use. Otherwise, the appliance must not be used.
- The operator must use the appliance properly. The person must consider the local conditions and must pay attention to third parties, in particular children, when working with the appliance.
- This appliance is not to be used by persons (including children) with reduced physical, sensory or mental capabilities, or lack of experience and knowledge, unless they have been given supervision or instruction.
- If the supply cord is damaged, it must be replaced by the manufacturer, its service agent or similarly qualified persons in order to avoid a hazard.
- Ensure that the fan is switched off from the supply mains before removing the guard.
- Cleaning and user maintenance shall not be made by children without supervised
- Do not use or park the device in the open
- To avoid risks, all repairs and replacement of spare parts in the machine may only be carried out by the authorised customer service personnel.

Proper use

- This blower is meant for move air and to dry wet floors, walls, furniture, etc.
- This device is exclusively meant for industrial and commercial use.

Any use extending beyond this is not considered as proper use. The manufacturer is not liable for any losses resulting from this; the user alone bears the risk for this.

Device elements



- | | |
|--|---|
| 1 Transport handle
(AB 45 Classic only) | 5 Air outlet grid cover |
| 2 Handle | 6 Kick stand |
| 3 Air Blower | 7 Bearing wheel
(AB 45 Classic only) |
| 4 Switch panel | |

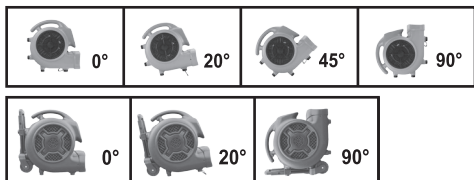


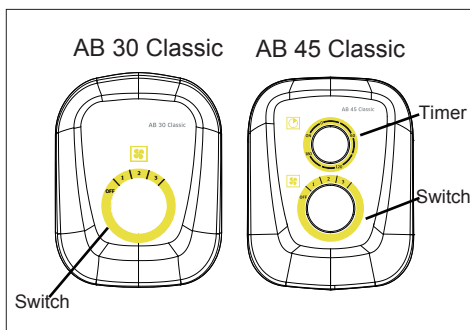
Fig.A

Operation

Note: When installing the appliance, ensure that the blower grid is free and does not have any objects in front of it.

- Open doors and windows as wide as possible to improve the ventilation.
- Plug the electrical cord into the power outlet.
- Carefully place the Air Blower unit on a stable flat dry surface.
- There are 4 air flow directions for AB 30 Classic and 3 air flow directions for AB-45 Classic, position your Air Blower in the desired angle. (See Fig.A)
- Turn the switch to desired speed and make sure it is operating correctly.

Switch



Timer: Set the preferred time from 1 to 180 min.

Switch

OFF	Off
3	Maximum output
2	Medium output
1	Minimum output

Turning on the Appliance

- Plug in the main plug.
- Turn on the appliance.

Shutting down

- Turn off the appliance.
- Pull out the mains plug.

Transport

Caution

Risk of injury and damage! Observe the weight of the appliance when you transport it.

- Grab the appliance by the carry handle, not by the transport handle.
- Pull the appliance behind you by transport handle for transporting it over longer distances.
- When transporting in vehicles, secure the appliance according to the guidelines from slipping and tipping over.

Storage

Caution

Risk of injury and damage! Note the weight of the appliance in case of storage.

This appliance must only be stored in interior rooms.

Maintenance and care

⚠ Danger

First pull out the plug from the mains before carrying out any tasks on the machine.

- Check the blower grid daily for dirt and clean it.
- Clean regularly the surfaces of the device with a moist piece of cloth.

Troubleshooting

⚠ Danger

First pull out the plug from the mains before carrying out any tasks on the machine.

Blower is not working

- Check cables, plugs, fuse, and socket.
- Turn on the appliance.

If malfunction can not be fixed, the device must be checked by customer service.

- Inform Customer Service

Warranty

The warranty terms published by the relevant sales company are applicable in each country. We will repair potential failures of your appliance within the warranty period free of charge, provided that such failure is caused by faulty material or defects in manufacturing. In the event of a warranty claim please contact your dealer or the nearest authorized Customer Service centre. Please submit the proof of purchase.

Accessories and Spare Parts

- Only use accessories and spare parts which have been approved by the manufacturer. The exclusive use of original accessories and original spare parts ensures that the appliance can be operated safely and troublefree.
- At the end of the operating instructions you will find a selected list of spare parts that are often required.
- For additional information about spare parts, please go to the Service section at www.kaercher.com.

Technical specifications

		AB 30 Classic	AB 45 Classic	
Type		1.004-057.0 1.004-058.0	1.004-059.0 1.004-060.0	1.004-061.0
Voltage	V	220-240	220-240	220
Frequency	Hz	50	50	60
Current type	--	AC	AC	AC
Power	W	520	700	850
Length	mm	405	405	405
Width	mm	400	475	475
Height	mm	415	475	475
Weight	kg	8.5	11.9	11.9



在您第一次使用您的设备前，请先阅读并遵守本操作说明书原件，为日后使用或其他所有者使用方便请妥善保管本说明书。

- 不遵守本说明书和安全提示会导致机械损坏以及操作者和其他人员人身危险。
- 如有运输损坏请立即通知零售商。

环境保护



包装材料可以回收利用。请不要把包装材料与普通垃圾放在一起处理，而应妥善安排回收。



旧的设备中含有宝贵的可再利用的材料，应加以回收利用。请通过适当的收集系统处理您的旧设备。

说明书中的符号

⚠ 危险

即刻引发威胁的危险，致使身体严重伤害或死亡。

⚠ 警告

潜藏的危险情况，可能致使身体严重伤害或死亡。

注意

潜藏的危险情况，可能致使身体轻微伤害或损伤。

安全操作说明

⚠ 危险

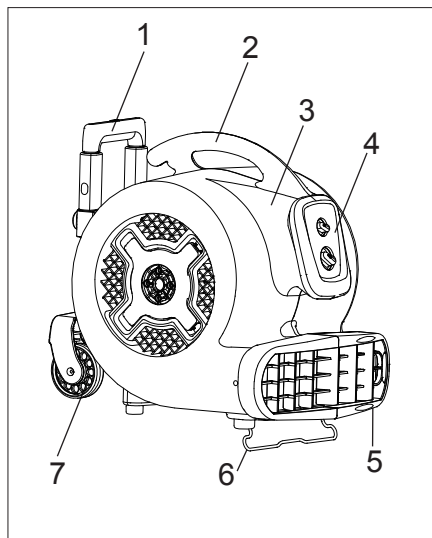
- 决不能用湿手触及电源插头或设备。
- 设备未关闭且电源插头未拔下之前，设备不能无人看管。
- 定期检查电源连接导线是否损坏，比如开裂或老化。一旦确定有损坏，则必须在继续使用前更换线缆。
- 在使用设备及其装配前应先检查它们的规定状态和操作安全性。如果设备的状态存有疑问，则不允许使用设备。
- 操作人员按照规定使用本设备。同时要重视地方现行的规定并在设备工作时照顾好第三者，特别是儿童。
- 此设备不得让那些身体能力有限，感官能力弱或理解能力差或者缺乏经验和/或缺乏知识的人员（包括儿童）使用，除非他们有专人监督或接受专人指导如何操作设备。
- 如果电源线损坏，必须由其服务代理或类似资格的人更换，以避免危险。
- 确保拆开保护装置前，切断风机电源。
- 儿童不得在没有监护的情况下进行清洗和维护。
- 不得在室外使用设备或将设备停放在室外。
- 为了避免产生危害，只允许经过授权的客户服务中心对设备进行维修和更换。

合乎规定的使用

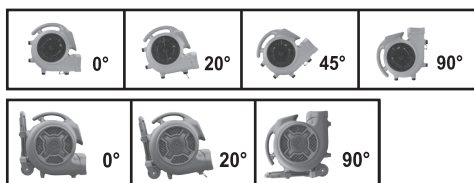
- 本鼓风机用于干燥湿的地面，墙壁，家具等。
- 本设备用于工商业用途。

任何超出此用途的使用均视为不符合规定。对由此所产生的损害制造商将不承担责任。由此所带来的风险将由用户自行承担。

设备元件



- | | |
|-----------------------------|------------------|
| 1 便携式手柄
(仅AB 45 Classic) | 5 出风口 |
| 2 手柄 | 6 支撑架 |
| 3 鼓风机 | 7 运输轮 |
| 4 开关面板 | (仅AB 45 Classic) |



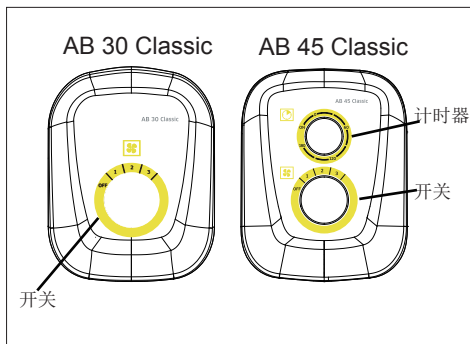
图A

运行

提示： 安装设备时注意保持鼓风机风栅畅通。

- ➔ 尽可能打开门和窗户，以改善通风。
- ➔ 插入电源通电
- ➔ 把设备小心放置在平稳的干表面。
- ➔ AB 30 Classic设备有4个送风方向，AB 45 Classic设备有3个送风方向，按所需的方向摆放设备。（见图A）
- ➔ 打开开关，选择所需的风速，确保设备正常运转。

设备开关



计时器：从1至180分钟设置所需时间

开关：

OFF	关闭
3	最大功率
2	平均功率
1	最小功率

启动设备

- ➔ 插上电源。
- ➔ 开启设备。

停止调试

- ➔ 关闭设备。
- ➔ 取下插头。

运输

注意

受伤和损坏危险！ 运输时要注意设备的重量。

- ➔ 提携设备时抓住手柄，不要抓住运输柄。
- ➔ 长距离运输时抓住运输柄拉在身后。
- ➔ 用车辆进行运输时，根据各适用准则确保设备不会滑倒和倾覆。

保管

注意

受伤和损坏危险！ 存放时要注意设备的重量。

该设备只能存放在室内。

维修与维护

⚠ 危险

在对机器进行任何操作之前，请务必先关闭设备并将插头从电源上拔下。

→ 每天检查鼓风机风栅是否受到污染并进行清洁。

→ 定期使用湿毛巾清洁设备表面。

故障帮助

⚠ 危险

在对机器进行任何操作之前，请务必先关闭设备并将插头从电源上拔下。

鼓风机不运转

→ 检查保险电线、插头、保险器和插座。

→ 开启设备。

如果故障无法排除，设备必须送到客服检修。

→ 通知客户服务处。

质量保证

我们在各国的经销商已经公布了各国相应的质量保证条款。在质量保证期内，如果您的产品发生了任何故障，我们都将为您提供免费维修，但是这种故障应当是由于机身材料或制造上的缺陷造成的。请您向经销商或者与您距离最近的经过授权的客户服务处联系，提出保修请求，并提供相应的产品购买证明文件。

附件和备件

- 只允许使用生产商提供的配件和备件。原始配件和原始备件可以确保设备安全无故障地运行。
- 在说明书的结尾部分您可以找到精选的最频繁需要的备件。
- 您可以登录 www.kaercher.com 的 Service 板块里获取更多关于备件的信息。

产品规格 / 参数

		AB 30 Classic	AB 45 Classic	
型号		1.004-057.0 1.004-058.0	1.004-059.0 1.004-060.0	1.004-061.0
电压	V	220-240	220-240	220
频率	Hz	50	50	60
电流种类	--	AC	AC	AC
功率	W	520	700	850
长度	mm	405	405	405
宽度	mm	400	475	475
高度	mm	415	475	475
重量	kg	8.5	11.9	11.9



<http://www.kaercher.com/dealersearch>



Alfred Kärcher GmbH & Co. KG

Alfred-Kärcher-Str. 28 - 40

71364 Winnenden (Germany)

Tel.: +49 7195 14-0

Fax: +49 7195 14-2212